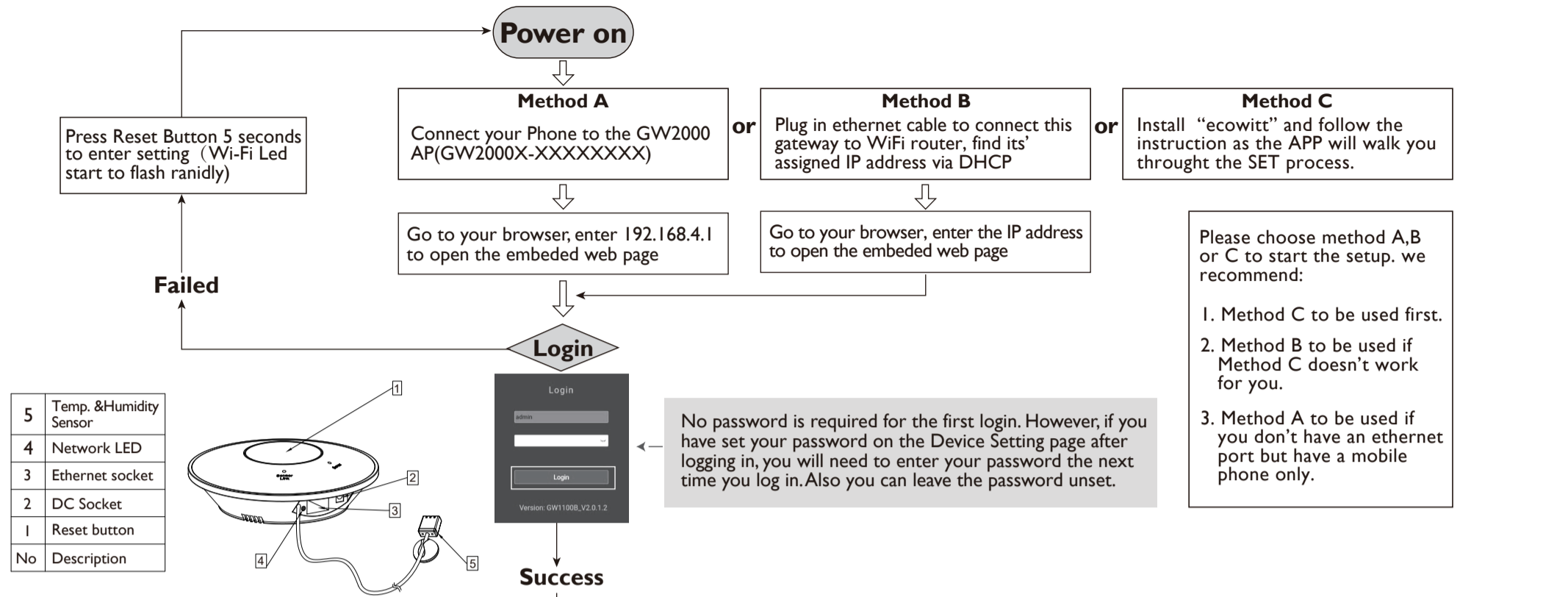
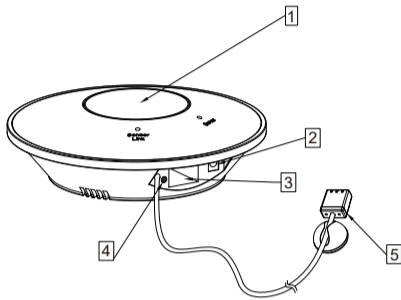


# SETUP Via Embedded Webpage



5	Temp. & Humidity Sensor
4	Network LED
3	Ethernet socket
2	DC Socket
1	Reset button
No	Description



Please choose method A,B or C to start the setup. we recommend:

1. Method C to be used first.
2. Method B to be used if Method C doesn't work for you.
3. Method A to be used if you don't have an ethernet port but have a mobile phone only.

**1** Router set up  
Connect Local Network

**2** Device Setting  
Set Timezone and Date from here

**3** Ecowitt Weather Service  
www.ecowitt.net

**4** Sensors ID  
for sensor management

**5** Other Options

**1** Upload data to the weather services, start from here, complete below I to V steps.

**2** Set Timezone and Date from here

**3** Register Ecowitt Weather service and add device from here

**4** Sensors ID for sensor management

**5** Other Options

Note: After Apply, check whether the IP is retrieved

If you select Auto Timezone on Device Setting page, you have to select correct Timezone on Ecowitt net - Add Device page.

Mark this MAC, which you will use to add device in step 3

Weather Services

Ecovitt.net

Interval (minutes) 1

MAC 40:F5:20:0B:7F:72

Wunderground

Station ID

Station Key

Weathercloud

Weathercloud ID

Weathercloud Key

WeatherObservationsWebsite

Station ID

Station Key

Customized

Customized  Disable  Enable

Protocol Type Same As  Ecovitt  Wunderground

Server IP / Hostname

Path /data/report/

Port 80

Upload Interval 60 Seconds

Save

Ecovitt Weather

Add Device

Device Name

Device Location

Device Type

Timezone Asia Shanghai

MAC/IMEI

Public Data

Cancel Save

Add Device

GW1100(72)  
(Public Data)

Device Location 113.942975,22.577967

Device Type Weather Station

Timezone Shanghai

MAC 40:F5:20:0B:7F:72

Weather Services

Calibration

Rain Totals

Device Setting

Sensors ID

Local Network

Unit Settings

Version: GW1100B\_V2.0.1.3



\* Please scan the QR code to read English manual and keep it for future reference

\* Bitte scannen Sie den QR-Code zudeutsche Anleitung lesen und aufbewahren für Zukunftsbezug

\* Si prega di scansionare il codice QR per leggere il manuale italiano e conservarlo per futura referenza

**Attention:**  
Our product is continuously changing and improving, particularly online services and associated applications. To download the latest manual and additional help, please contact us at support@ecowitt.com or support.eu@ecowitt.net (EU/UK).

**Manufacturer:**  
ShenZhenShi OuSaiTeDianZi YouXianGongSi  
Add: C Dong 4 Ceng A, Minzhujijugongyecheng AQu, Xihuanlu, Shajingjiedao, Baoanqu Shenzhen, Guangdong 518101, CN  
E-mail: support@ecowitt.com support.eu@ecowitt.net (EU/UK)

**UK representative**  
UK AR HUA TENG LIMITED  
3 Glass Street, Hanley, Stoke On Trent, ST1 2ET United Kingdom

**EC representative**  
EC REP AC WORKS CONSULTING SH  
Via Vilfredo Pareto 125,47521 Casena(FC),ITALY

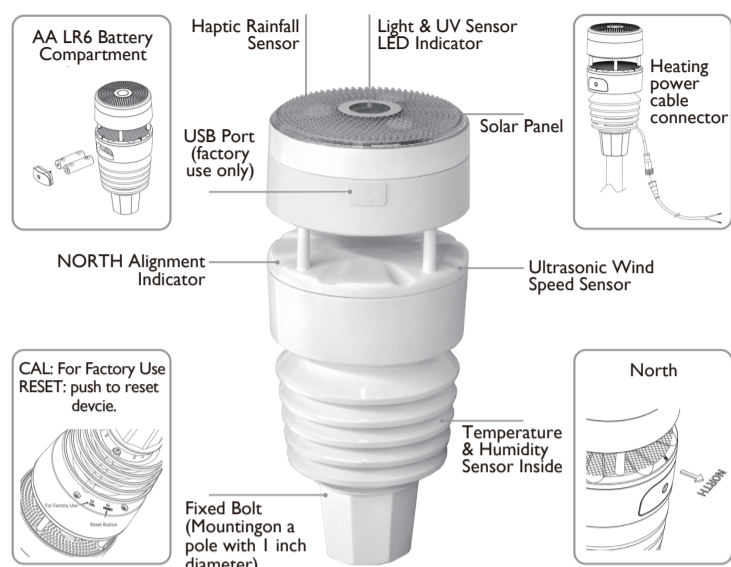
**Instruction manuals**  
<https://www.ecowitt.com/shop/goodsDetail/245>



MADE IN CHINA

# WS90 7-in-1 Weather Station

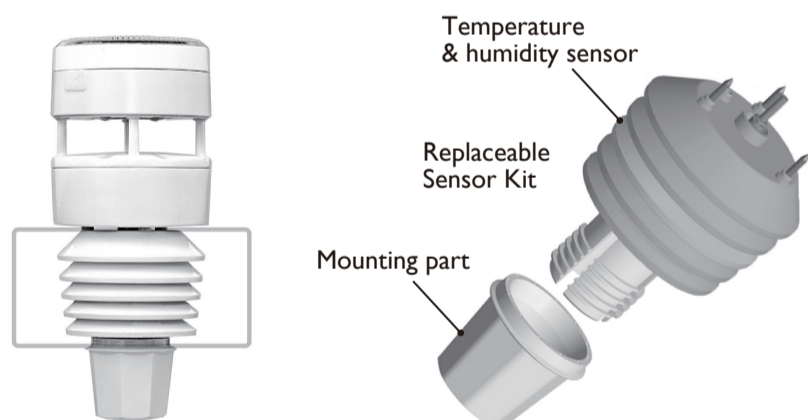
## I. Compact and Built to last



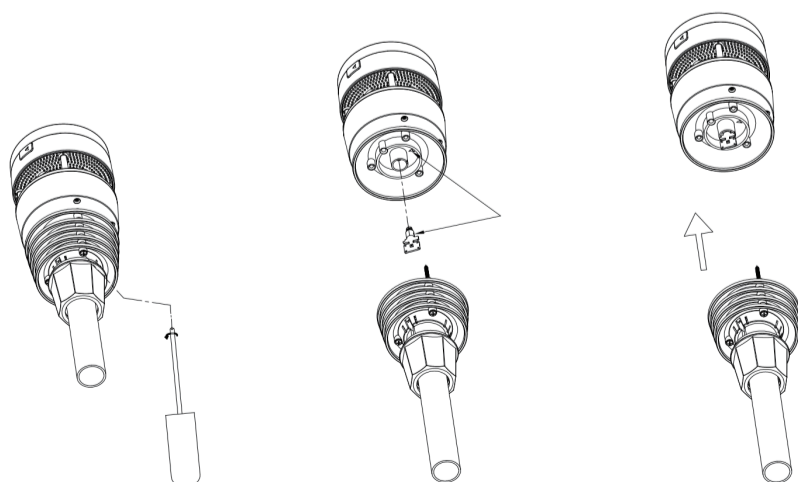
## 2. Feature

<b>All-in-One Weather Station</b> Temperature, humidity, wind direction and speed, light and UV levels		<b>Near - Zero maintenance</b> All-in-one weather station with no moving parts	
<b>Dual-Power Supply</b> Solar Power Autonomy & Backup Battery	<b>Haptic Rainfall Sensor</b> More accuracy with Anti-vibration design	<b>Get Live data instantly</b> View live data on Ecowitt app or at EcoWitt.net	<b>Get alert emails</b> on your own defined alert condition, mails can be triggered to notify you the alert
<b>Supports a bundle of sensors</b> Those already developed sensors or to be developed future sensors are all supported.	<b>Light, compact yet robust: IPX5</b> install it outdoors and let it do its weather station magic	<b>Easy integration to 3<sup>rd</sup> party</b> With its unique data exchange protocol, it can be integrated easily with 3 <sup>rd</sup> party systems.	<b>Easy integration to 3<sup>rd</sup> party</b> Data can be picked up & received through Hub GW2000 in 150m range

## 3. Replaceable Temperature & Humidity Sensor



While compact, the entire structure of WittBoy is built to be robust and designed to withstand the test of time. The Temperature and Humidity Sensor Kit can be replaced whenever required.



1. Use screwdriver to untight the screws of the sensor.

2. unplug the old sensor

3. Replace the old Temp & Humidity sensor with new one

## 4. Paired with Wi-Fi Hub GW2000



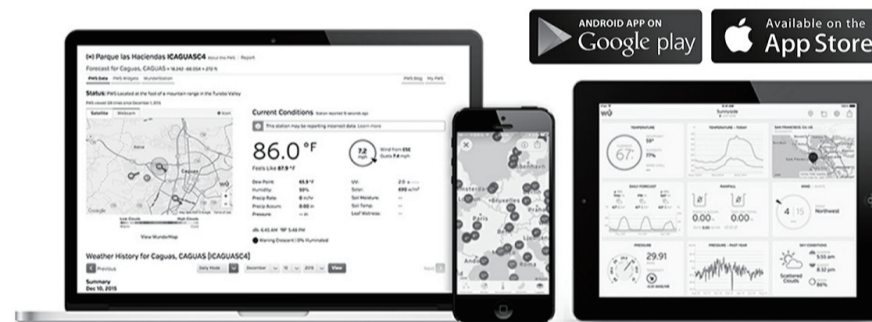
Your private weather station will pick up data of temperature, humidity, wind direction and speed, light and UV levels, as well as rainfall, and report it to you through its APP or the ecowitt.net website.



## We Support



or your own defined server



## Alert Email

Alert email sent upon customer defined alert condition.

## View History Data on

Ecowitt APP/EcoWitt.net website

## 5. Specification

### Measurement specification

Measurement	Range	Accuracy	Resolution
Wind speed	0~40M/S	<10m/s, +/-0.5m/s ≥10m/s, +/-5%	0.1M/S
Wind direction	0~359°	<2m/s, ±10° ≥2m/s, ±7°	1°
Temperature	-40~60°C	±0.3°C(±0.6°F)	0.1°C(±0.1°F)
Humidity	1~99%	±3.5%	1%
Light	0~200Klux	±15%	0.1Klux
UVI	1~15	±2	1
Rain	0~9999	TBA	0.1mm

### Power consumption

Anemometer sensor (main)	Anemometer sensor (backup)
Solar panel (built-in) 6.5V/4mA(integrated)	2 x AA 1.5V battery (not included, recommended to use Lithium none rechargeable batteries)